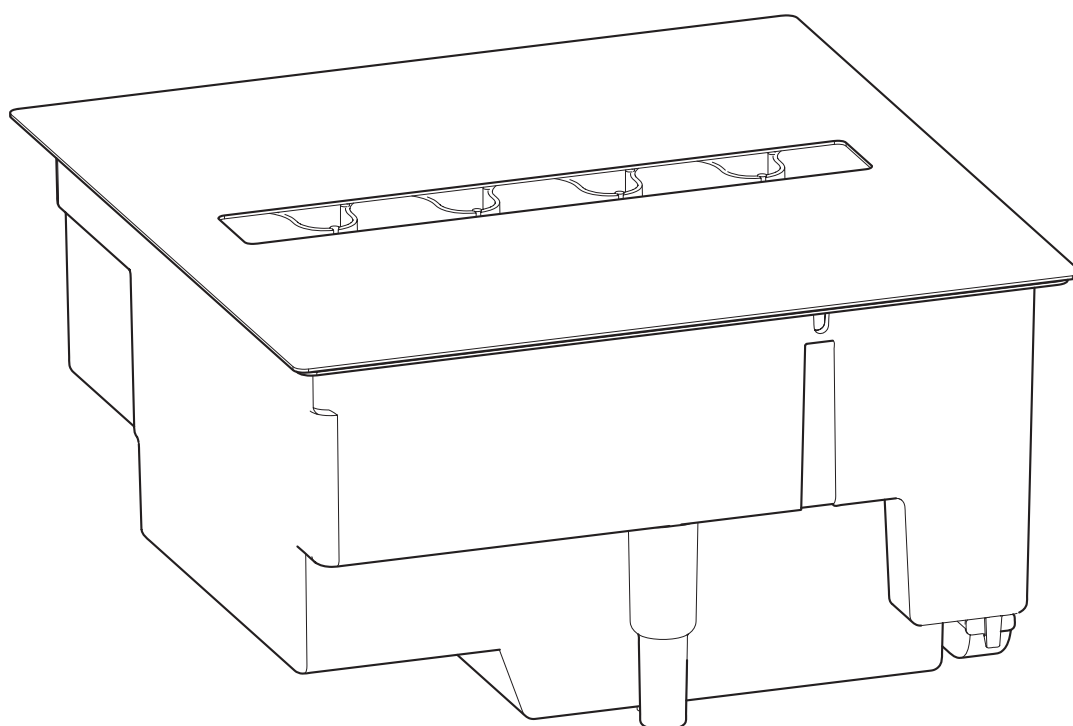


Dimplex®



CAS250

GB DE NL FR IT PL

08/53854/0 Issue 2
OCN 10971

Fig. 1

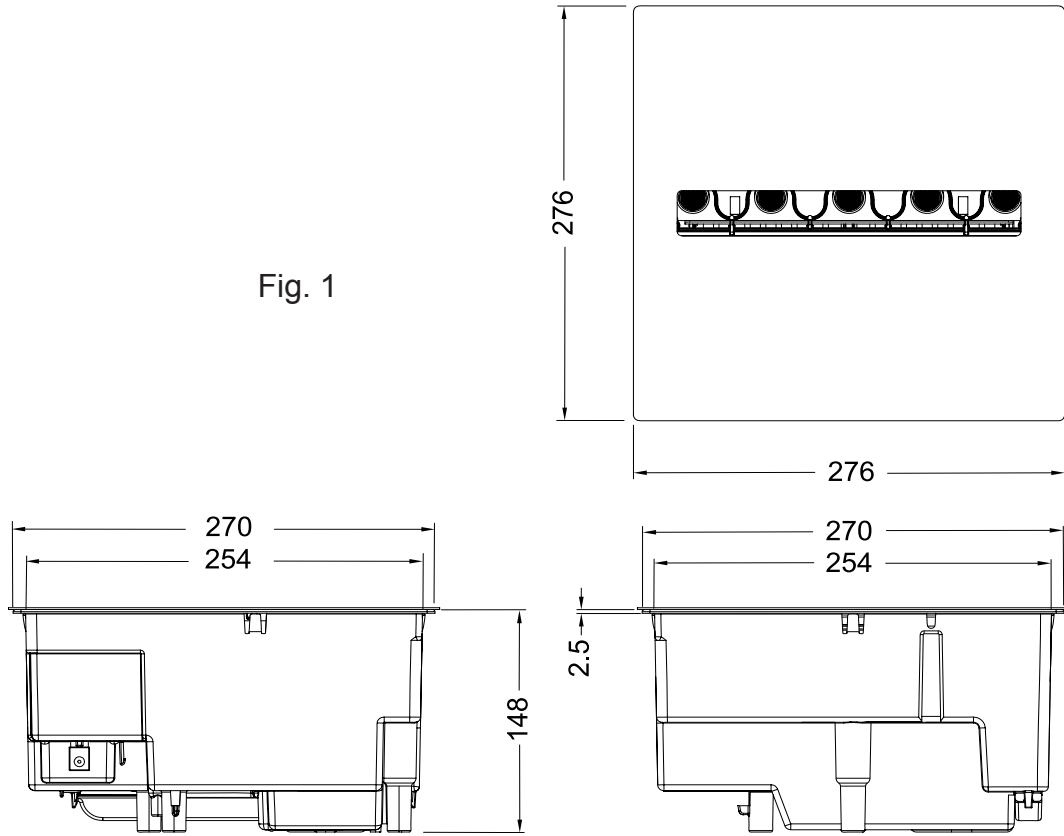


Fig. 1A

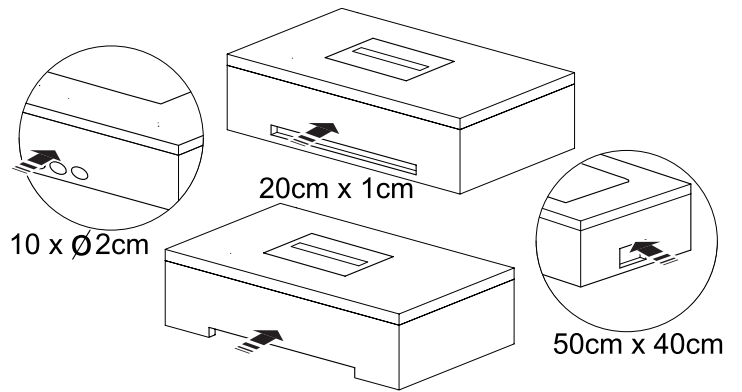


Fig. 2

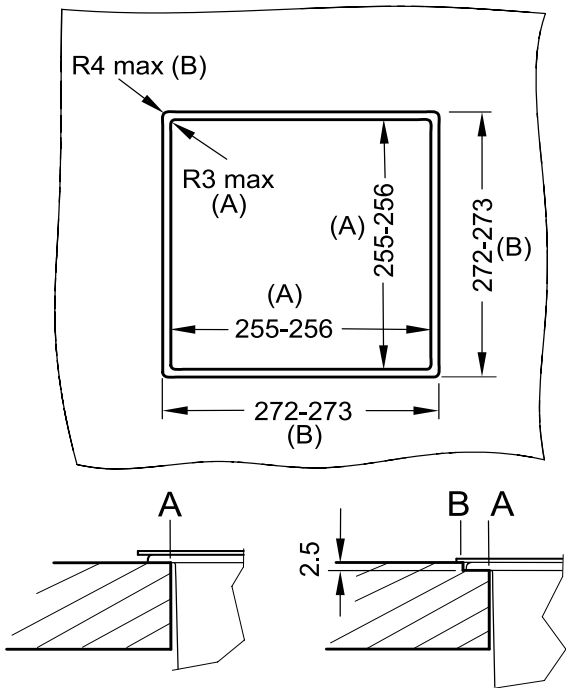


Fig. 3

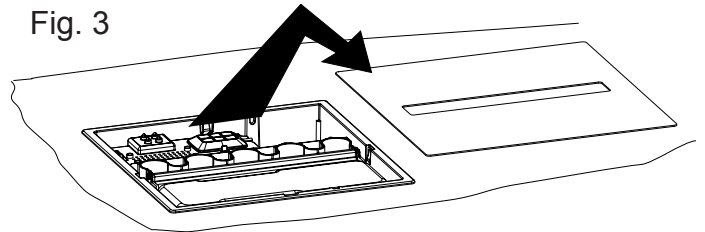


Fig. 4

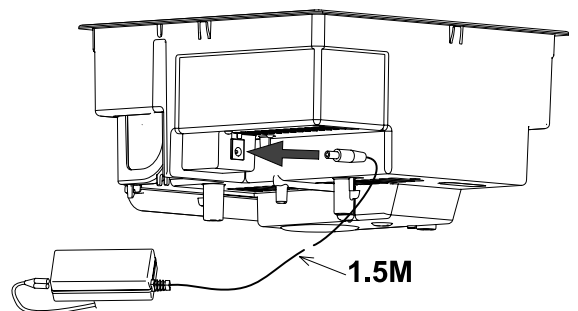


Fig. 5

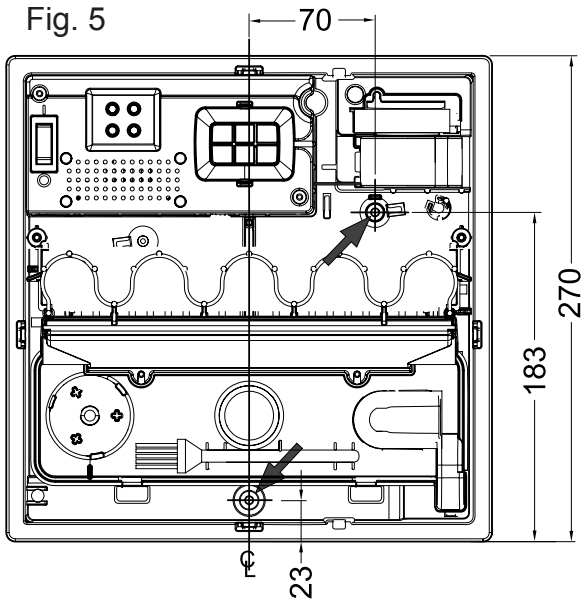


Fig. 8

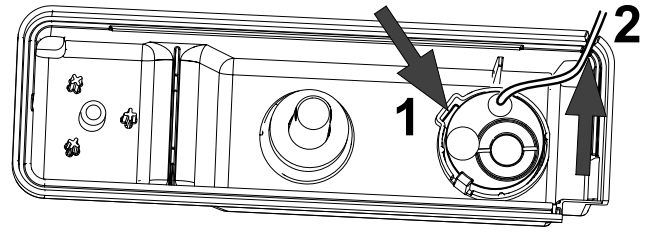


Fig. 5a

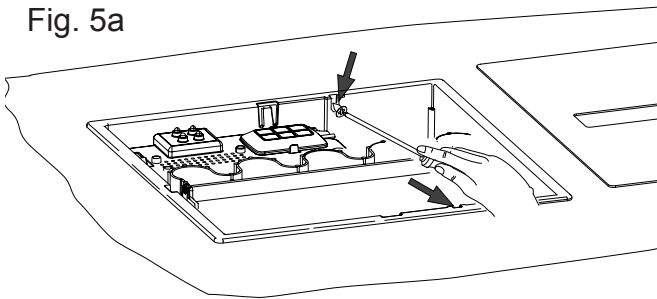


Fig. 9

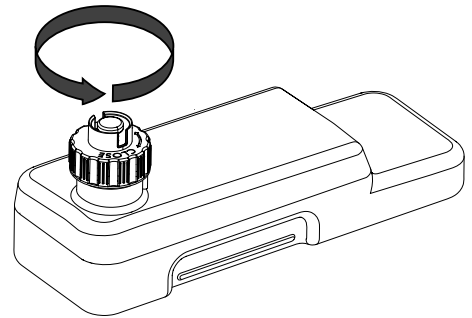


Fig. 6

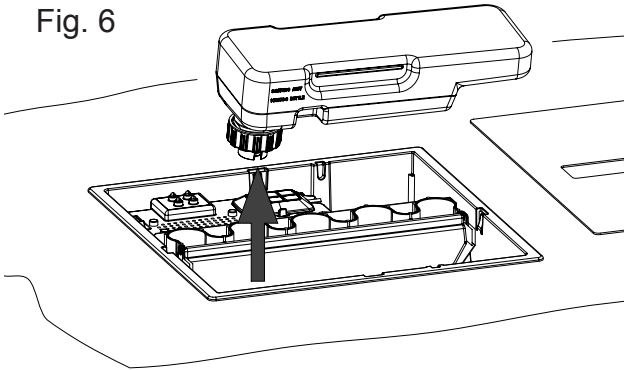


Fig. 10

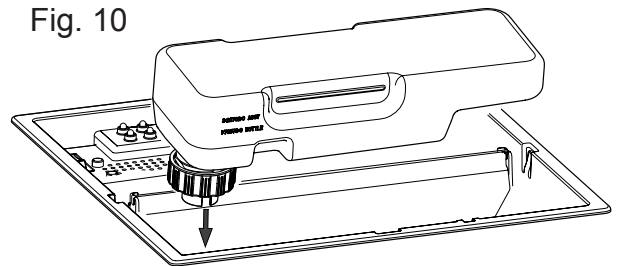


Fig. 7

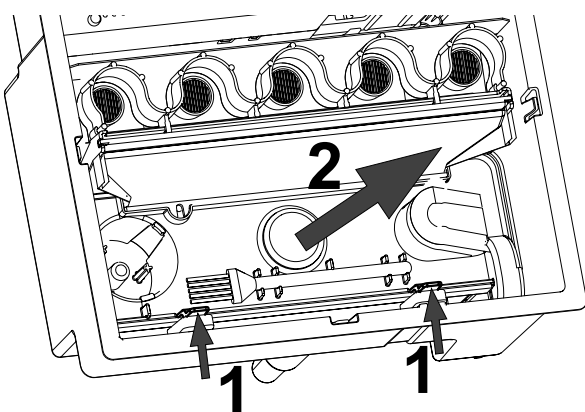
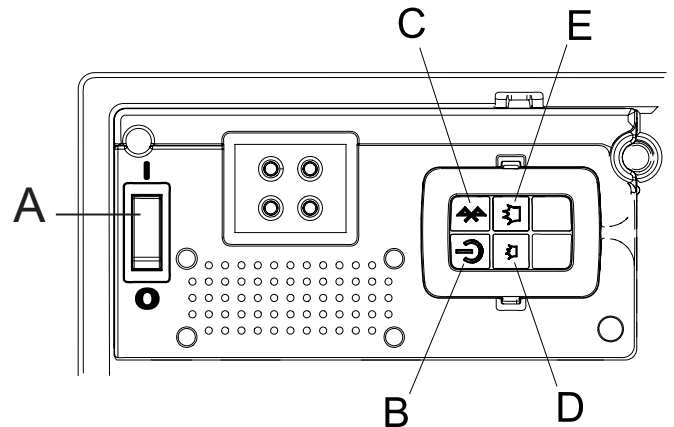


Fig. 11



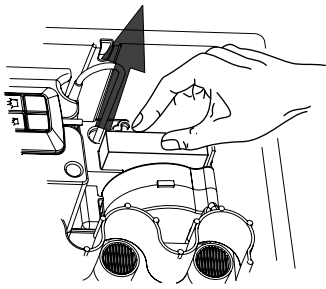


Fig.12

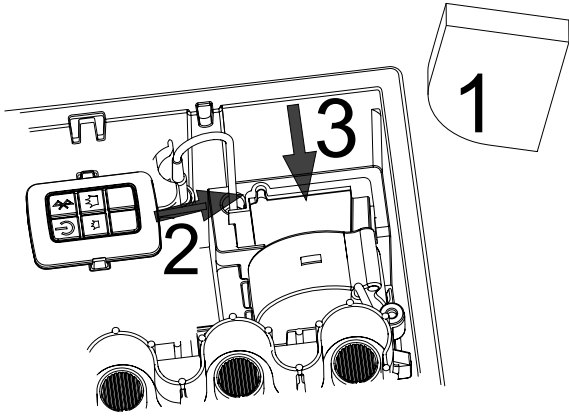


Fig. 13

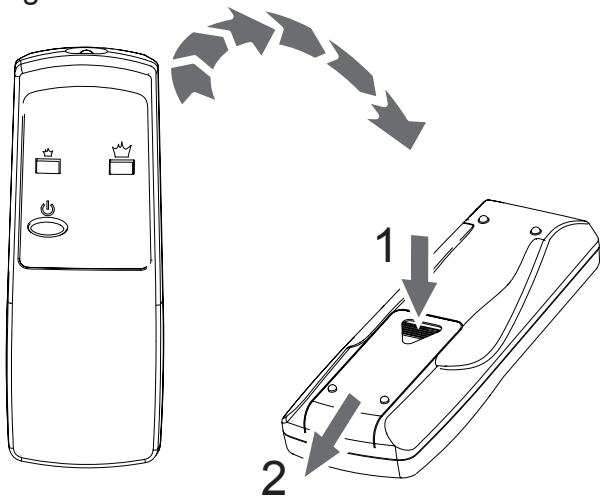


Fig. 14

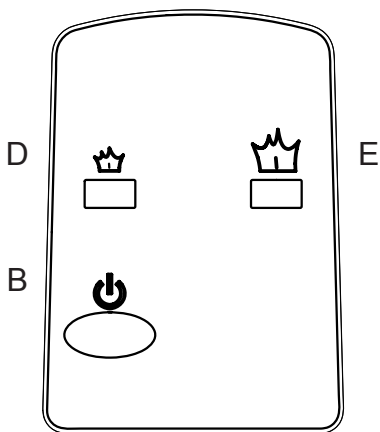


Fig. 18

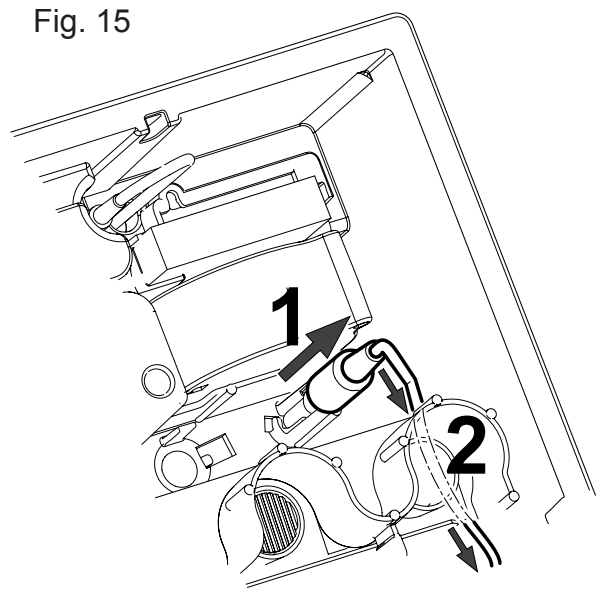


Fig. 16

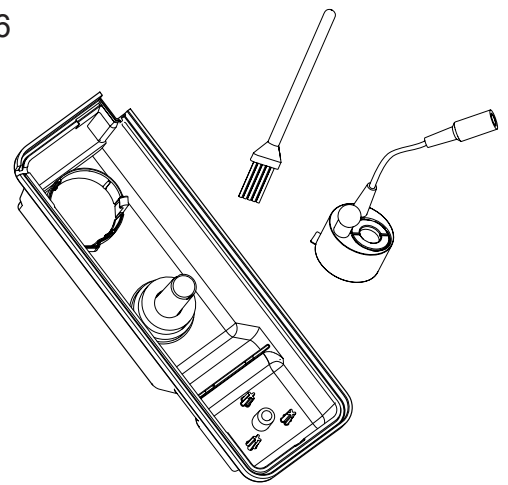
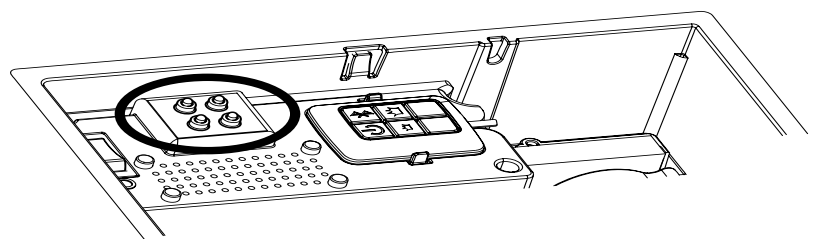
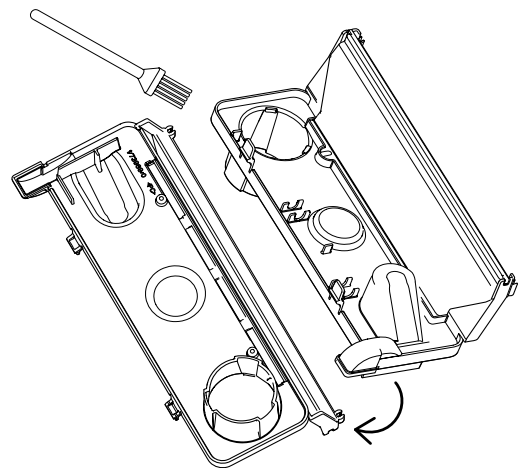


Fig. 17



GB	1
DE.....	6
NL.....	11
FR.....	16
IT.....	21
PL.....	26

Introduction

Thank you for choosing this Dimplex electric fire. Please read this information guide carefully to be able to safely install, use and maintain your product.

Important Safety Advice

When using electrical appliances, basic precautions should always be followed to reduce the risk of fire, electrical shock and injury to persons, including the following:

WARNING



Do not place material or garments on, or obstruct the air circulation around the appliance.

The appliance carries the Warning symbol indicating that it must not be covered.

DAMAGE

If the appliance is damaged, check with the supplier before installation and operation.

If the supply cord is damaged it must be replaced by the manufacturer or service agent or a similarly qualified person in order to avoid a hazard.

LOCATION

Do not use in the immediate surroundings of a bath, shower or swimming pool.

Do not locate the fire immediately below a fixed socket outlet or connection box.

Ensure that furniture, curtains or other combustible material are positioned no closer than 1 metre from the appliance.

PLUG POSITIONING

The appliance must be positioned so that the plug is accessible.

Keep the supply cord away from the front of the appliance.

UNPLUGGING

In the event of a fault unplug the device.

Unplug the device when not required for long periods.

OWNER/USER

This appliance can be used by children aged from 8 years and above and persons with reduced physical, sensory or mental capabilities or lack of experience and knowledge if they have been given supervision or instruction concerning use of the appliance in a safe way and understand the hazards involved. Children shall not play with the appliance. Cleaning and user maintenance shall not be made by Children without supervision.

Children of less than 3 years should be kept away unless continuously supervised. Children aged from 3 years and less than 8 years shall only switch on/off the appliance provided that it has been placed or installed in its intended normal operating position and they have been given supervision or instruction concerning use of the appliance in a safe way and understanding the hazards involved. Children aged from 3 years and less than 8 years shall not plug in, regulate and clean the appliance or perform user maintenance.

ELECTRICITY

Before switching on, please read the safety advice and operating instructions.

Note: This appliance is only to be used with the power supply unit provided.

Only plug this appliance into a supply that corresponds to that displayed on the power supply unit. The appliance must only be supplied at extra low voltage corresponding to the markings on the appliance.

CAUTION — Some internal parts of this product can become hot and may cause burns. Particular attention has to be given where children and vulnerable people are present.

WARNING - In order to avoid overheating, do not cover the appliance.

General Information

Only use decalcified/filtered water in this appliance.

This appliance is intended for table top, worktop and furniture type fittings.

Always ensure that the appliance is sitting on a level surface.

Once installed, never move this appliance or lay on its back, without draining the water from sump and water tank.

If you intend not using the appliance for longer than 2 weeks, drain the water from sump and water tank and dry the sump.

The water tank, sump, sump lid, tank cap and air filters must be cleaned once every 2 weeks, particularly in hard water areas.

Please note: Used in an environment where background noise is very low, it may be possible to hear a sound which is related to the operation of the flame effect. This is normal and should not be a cause for concern.

The sump and the water tank in this product are treated with a biocidal product, Silver Biocide in order to control harmful or unwanted organisms. This conforms with the latest relevant ISO standard

Do not drink the water from the sump or from the water tank(s).

Installation Instructions

This section describes how to set up your fire.

BEFORE YOU START

Ensure that all packing items are removed (read any warning labels carefully) and retain all packing for possible future use e.g. in the event of moving house or returning the appliance to your supplier.

Before connecting to the mains supply, check that the supply voltage is the same as that stated on the appliance.

FURNITURE TYPE INSTALLATION

The CAS250 is intended to be used for furniture type installation - **see Fig. 1** for product dimensions.

A minimum of 40cm clearance must be left between the metal bed and any shelf/enclosure above it, in order to provide enough space for the flames/mist to form fully and not be obstructed.

There are slots at the base of the product that allows air to flow through, helping the mist evacuate effortlessly and also to keep the electronic components cool.

The product needs ventilation from underneath or at the rear to operate effectively.

A minimum 200cm² is required, for examples - see Fig. 1A.

Where the product is left in the centre of a room/hall, drafts or pedestrian traffic passing by the appliance can have an impact on the performance of the flame. For these installations, we would recommend putting a 4 sided glass surround, that sits on top of the table/worktop/shelf, around the outlet (metabed) - minimum size 33x33x10cm high.

To assemble the appliance into a 'worktop' (or similar type shelf), a rectangular hole is required to allow the product to be dropped into place. Adding a recess allows the product to be 'flush'/level with the worktop - **see Fig. 2.**

The metal bed is removable to allow access to controls and also to access the water tank, nozzle Lid, sump and transducer - **see Fig. 3.** The 24V input connection is at the rear of the product - connect the jack from the power supply unit to this input socket - **see Fig. 4.** A clearance hole (16-20mm) is required in furniture, to allow the lead from the power supply unit to be fitted. Alternatively, the ventilation hole may be used. Insert the jack from the mains cable to the power power supply unit (Do not Connect the Mains plug to a socket outlet until the appliance is ready for operation). The product can be secured, by screw fixing through the base or at 2 sides - **see Fig. 5 and 5a.** (fixing screws are not included).

Connecting the Transducer Unit :

1. Lift off the metal bed and place carefully on the table/worktop - **see Fig 3.**
3. Remove the water tank by lifting upwards and outwards - **see Fig 6.**
4. Remove the nozzle by unclipping (1) and lifting upwards and outwards (2) - **see Fig 7.**
5. The transducer will be inside the sump. Remove from its bag.

Locate the tab on the Transducer unit into the moulded recess in the base of the sump (1). Ensure that the cable does not obstruct the Transducer disc. To prevent the cable becoming pinched between the nozzle and the sump, ensure the cable exits through the slot at the corner of the sump (2). - **see Fig 8.**

Filling the Water Tank :

1. Lift out the metal bed and water tank, as described above.
2. Place the water tank in sink and remove cap, anti-clockwise to open - **see Fig 9.**
3. Fill the tank with **decalcified/filtered tap water only.** This is necessary to prolong the life of the flame and smoke producing unit. The water should be filtered through a conventional domestic water filter unit and the filter should be replaced regularly. Distilled water must **NOT** be used
4. Screw the cap back on (clockwise) - **do not over tighten.**
5. Place the Water Tank in the Sump, with the tank cap facing down and the flat side of the tank facing outward - **see Fig. 10.**

Operating the Product

This section describes how to activate your fire using either the manual controls or remote control. Inert the mains plug to the socket outlet (ensure that the supply voltage matches the voltage marked on the appliance).


MANUAL CONTROLS


The manual controls are located beneath the metal bed - **see Fig. 11** for Manual Control lay out.


Switch 'A':- Controls the electricity supply from the power supply unit to the Fire.


Note: This switch must be in the 'ON' (I) position for the Fire to operate.

BLUE TOOTH (BT) RECEIVER

Button 'B':- Press  once to turn on the flame effect. The LED's light up - it will take a further 45 seconds before the flame effect starts.

(Button 'C'  is used to pair the remote control - see Blue Tooth Remote Control section below)

Press  to put fire in to standby mode. This will be indicated by the LED's switched off.

Button 'D'and 'E':- Control the intensity of the flame effect. 

Press button 'D' to decrease the flame height.

Press button 'E' to increase the flame height.

When flame height reaches max. or min. the LED's will blink once.



Give the flame generator a couple of seconds to react to changes you may make.

The appliance will use less water if the flame effect is set to a lower level.

The Blue Tooth receiver can be removed from its location and placed outside the product if preferred. To do this, remove the metal bed - **see Fig. 3**, remove the Air filter - Unclip the BT receiver and feed it out through the air filter inlet hole - **see Fig. 12**. Unwind the cable from underneath and fit the BT receiver where desirable (cable length from inlet hole is 120cm). Replace the filter and the metal bed.

BLUE TOOTH (BT) REMOTE CONTROL

The remote control is supplied with 2xAAA batteries. Remove the battery cover from the underside of the remote control - **see Fig. 13** and after removing the batteries from the plastic wrapping fit them into place. Replace the battery cover.


The remote control has wireless technology and is required to be paired to the receiver. This is done by pressing the  button (C) on the BT receiver. The LED's will start to blink on and off. This is to let you know that the appliance is ready to connect to the remote control. Press the  button (B) on the remote control. The appliance will switch off. Now the remote control is paired to the appliance.

The operation of the remote control is the same as described in 'Receiver Controls'.

There are 3 buttons on the remote control - **see Fig. 14**. To operate correctly the remote must be pointed towards the product. The remote control functions operate in the same way as the manual buttons 'B', 'D' and 'E'.

 Standby (B)

 Flame down (D)

 Flame up (E)

Maintenance

GENERAL TIPS

Only use decalcified/filtered tap water in this appliance.

Always ensure that the appliance is sitting on a level surface.

If you intend not using the appliance for longer than 2 weeks, remove and empty the sump and water tank.

Once installed, never move this appliance or lay on its back, without draining the water from sump and water tank.

The appliance should never be operated if the LED's are not working.

FILLING THE WATER TANK

When the water tank needs refilling, the LED's, flame/smoke effect shuts off. (To indicate when tank needs refilling, the LED's blink twice, approximately 15 minutes before the flame/smoke shuts off)

1. Lift out the metal bed and place carefully on the table/worktop - **see Fig. 3**.

2. Remove the water tank by lifting upwards and outwards - **see Fig. 6**.

3. Place the water tank in sink and remove cap, anti-clockwise to open - **see Fig. 9**.

4. Fill tank with **decalcified/filtered water only**. This is necessary to prolong the life of the flame and smoke producing unit.

The water should be filtered through a conventional domestic water filter unit and the filter should be replaced regularly.

5. Screw the cap back on (clockwise), **do not over tighten**.

6. Return the tank to the sump, with the tank cap facing down and - **see Fig. 10.**
7. Gently place the metalbed back into position.

CLEANING

Warning – Always press Switch 'A' to the 'OFF' (0) position - **see Fig. 11** and disconnect from the power supply before cleaning the fire.

We recommend cleaning the following components once every 2 weeks, particularly in hard water areas:-
Water Tank, Sump, Nozzle, Tank cap and seal, Air filter.

For general cleaning use a soft clean duster – never use abrasive cleaners.

To remove any accumulation of dust or fluff, the soft brush attachment of a vacuum cleaner should occasionally be used.

Water tank

1. Lift the metalbed and place carefully on the table/worktop - **see Fig. 3.**
2. Remove the water tank, as described earlier - **see Fig. 6**, put into sink, unscrew cap anti-clockwise - **see Fig. 9** and empty water.
3. Using the supplied brush gently rub the inside surfaces of the cap, paying particular attention to the rubber ring in the outer groove and the centre rubber seal.
4. Put a small quantity of washing up liquid into the tank, refit the cap and shake well, rinse out until all traces of washing up liquid are gone.
5. Refill with decalcified/filtered tap water only, replace the cap (clockwise), **do not overtighten** - **see Fig. 10.**
6. Gently place the metalbed back into position.

Sump

1. Lift the metalbed and place carefully on the table/worktop - **see Fig. 3.**
2. Press Switch 'A' to the 'OFF' (0) position -
3. Remove the water tank by lifting upwards and outwards - **see Fig. 6.**
4. Remove the nozzle by unclipping (1) and lifting upwards (2) - **see Fig. 7**
5. Disconnect the transducer (1) and feed/pull the connector underneath the LED's (2) - **see Fig. 15.**
6. Gently lift up the sump, taking care to keep level so as not to spill any water. Sit the assembly in the sink.
7. Lift out the transducer and carefully tilt, so that the liquid drains out of the sump.
8. Put a small amount of washing up liquid into the sump, and using the supplied brush, gently clean all surfaces in the sump and gently clean the transducer including the metal discs located in the top grooved surface - **see Fig. 16.**
10. When cleaned, thoroughly rinse the sump with clean water to remove all traces of washing up liquid.
11. Clean the Nozzle with the brush and flush out thoroughly with water - **see Fig. 17.**
12. Reverse the above steps to reassemble.

Air filter

1. Lift the metal bed and place carefully on the table/worktop - **see Fig. 3.**
2. Gently slide the air filter upwards out of its plastic holder - **see Fig. 12.**
3. Gently rinse with water in the sink and dry with fabric towel before returning.
4. Replace the filter making sure that the coarse black filter is facing the front of the fire.
5. Gently place the metalbed back into position.

Additional Information

AFTER SALES SERVICE

Your product is guaranteed for 2 years from the date of purchase. Within this period, we undertake to repair or exchange this product free of charge (excluding transducer disc, subject to availability & lifetime subject to regular maintenance) provided it has been installed and operated in accordance with these instructions. Your rights under this guarantee are additional to your statutory rights, which in turn are not affected by this guarantee.

RECYCLING



For electrical products sold within the European Community - At the end of the electrical products useful life it not be disposed of with household waste. Please recycle where facilities exist. Check with your Local Authority or retailer for recycling advice in your country.

PATENT / PATENT APPLICATION

Products within the Optimyst range are protected by one or more of the following patents and patent applications:

Great Britain GB 2402206, GB 2460259, GB 2460453, GB 2418014, GB 2465738, GB 2449925, GB 2465537, GB 2455277, GB1020534.2, GB1020537.5, GB1110987.3

United States US 7967690, US 2010299980, US 2011062250, US 2008028648, US 13/167,042
 Russia RU2008140317
 European EP 2029941, EP 2201301, EP 2315976, EP 1787063, EP07723217.1 , EP11170434.2, EP 11170435.9
 China CN 101883953, CN 200980128666.2, CN 101057105, CN 101438104
 Australia AU 2009248743, AU 2007224634
 Canada CA 2725214, CA 2579444, CA 2645939
 International Patent Application WO 2006027272
 South Africa ZA 200808702
 Mexico MX 2008011712
 Korea KR 20080113235
 Japan JP 2009529649
 Brazil BR P10708894-9
 India IN 4122/KOLNP/2008
 New Zealand NZ 571900

Troubleshooting

Symptom	Cause	Corrective Action
The flame effect will not start.	Mains plug is not plugged in. Low water level. Low voltage connector not connected properly. (See Fig.4)	Check plug is connected to wall socket correctly. Check that the water tank is full and there is water in the sump. Check that the connectors are inserted correctly. (See Fig.4) Check the mains plug is inserted correctly.
The flame effect is too low.	Flame effect is set too low. The Disc in the transducer might be dirty The wire from the Transducer Unit is sitting over the disc	Increase level of flame by pressing 🔥 (button 'E') on your remote or receiver. Clean the Disc with a soft brush. See 'Maintenance.' for a step by step procedure. Direct the wire to the corner of the sump and make sure it sits into the slot exiting the sump - check the connection.
Unpleasant smell when unit is used.	Dirty or stale water. Using unfiltered tap water.	Clean the unit as described under maintenance. Use only decalcified/filtered tap water.
The flame effect has too much smoke.	Flame effect setting is too high.	Decrease level of flame by pressing 🔥 (button 'D') on your remote or receiver. Give the flame generator some time to adjust to the new setting.
Product will not operate. LED's are not on.	The product has no water	Refill the water tank.