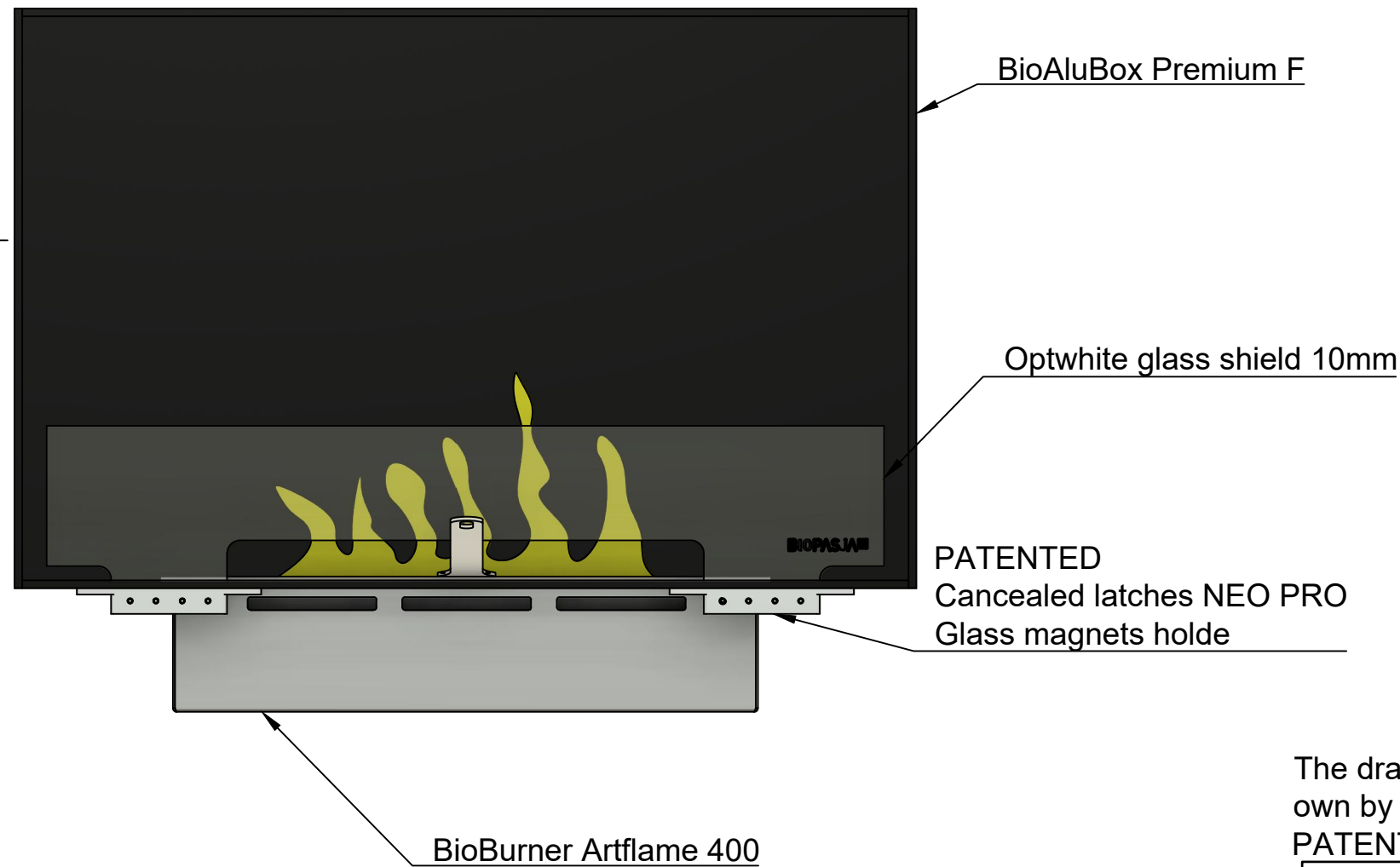
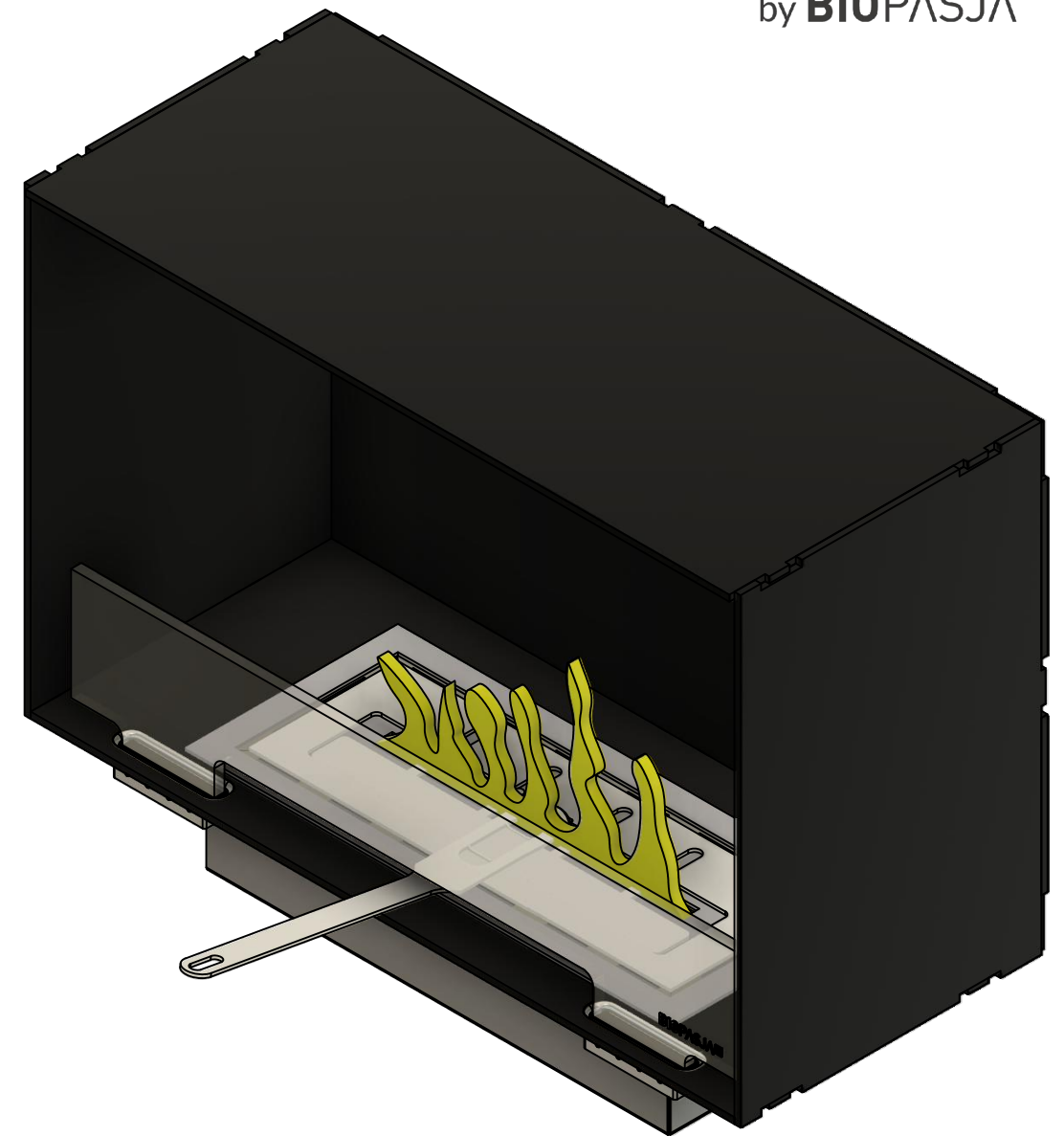
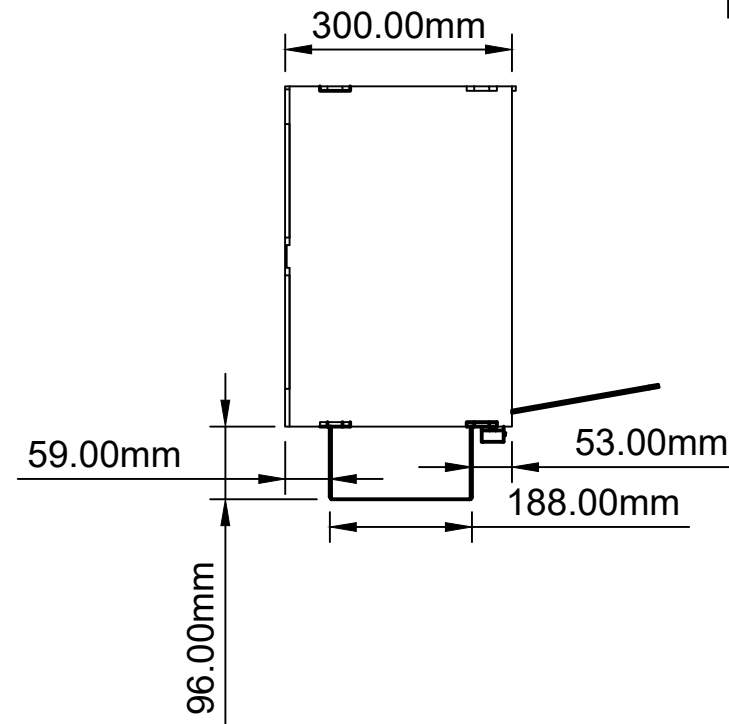
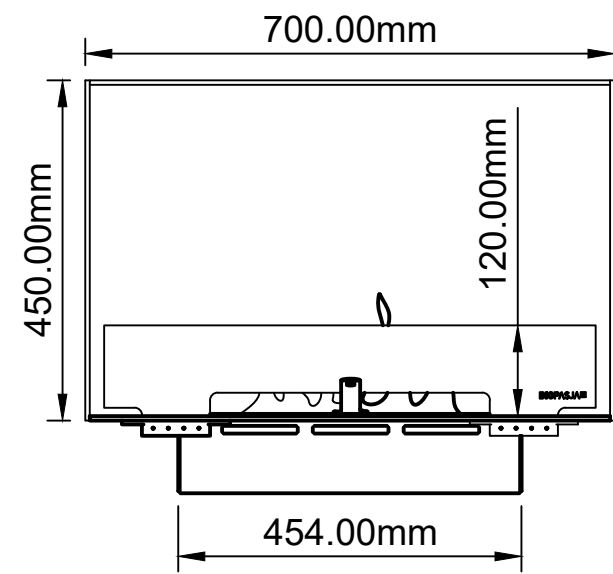


100% ORIGINAL
by **BIOPASJA**



The drawing is subject to copyright Biopasja Sp. z o.o. Industrial design protection own by Biopasja Sp. z o.o RCD002681213 & Canceled latches NEOPRO - PATENT no. P.427092

BioAluBox F - 700 - Artflame 400				Project No	BioAluBox F - 700
				Drawing No	Drw.01
Scale	Format	Drawn by	Drawn date	BIOPASJA	
1:10	A3	Adam	20/08/2019		
Rev.	Approved by	Rev. by	Rev. Date		
This drawing is our exclusive property and may not without our consent be utilized, reproduced, transmitted or communicated to a third party.					

LOOKING FOR PRICES - SEE ON QUALITY AND SAFETY WE STANDS FOR 10 YEARS OF EXPERIENCE